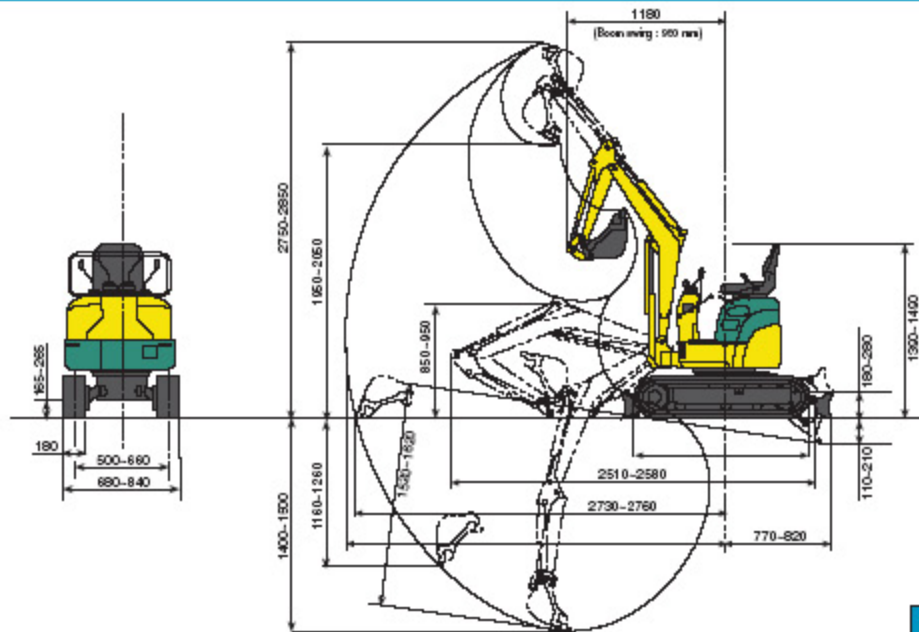
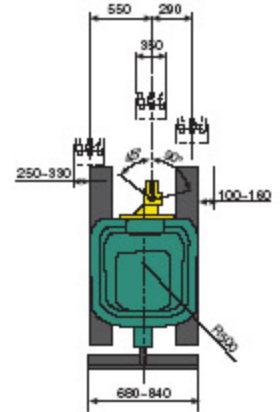


# SPECIFICATIONS B08-3



**Operating weight :  
980 Kg**



The manufacturer reserves the right to alter vehicle specifications. Dimensions in mm given with standard Yanmar bucket.

**Machine with rubber crawlers, bucket of 350 mm (16,5 kg).**

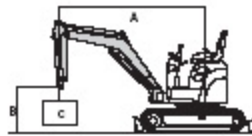
**A :** Reach from swing center line (m)

**B :** Load point height (m)

**C :** Rated lift capacity (kg)

**N :** Retracted undercarriage

**W :** Extended undercarriage



Blade on ground												
A	Maxi			2,0 m			1,5 m			Mini		
	N	W	C	N	W	C	N	W	C	N	W	C
2,0	100	140	*230	-	-	-	-	-	-	-	-	-
1,5	70	90	*230	80	110	*230	130	180	*250	-	-	-
1,0	60	80	*240	80	120	*280	130	170	*390	170	240	*550
0,5	60	80	*260	80	110	*320	120	170	*490	160	200	*650
0	70	90	*270	80	120	*340	130	170	*520	160	220	*670
-0,5	80	110	*280	90	120	*300	120	170	*460	240	300	*790
-1,0	140	200	*240	-	-	-	-	-	-	-	-	-

: Rating over front

: Rating over side 180°

Blade above ground												
A	Maxi			2,0 m			1,5 m			Mini		
	N	W	C	N	W	C	N	W	C	N	W	C
2,0	90	140	170	-	-	-	-	-	-	-	-	-
1,5	70	100	130	80	120	160	130	190	*250	-	-	-
1,0	50	80	110	80	120	140	120	190	230	170	260	320
0,5	50	80	110	70	110	110	120	180	230	150	220	290
0	60	90	120	70	120	150	110	170	220	140	220	290
-0,5	70	110	150	70	110	150	110	170	240	190	310	430
-1,0	120	190	*240	-	-	-	-	-	-	-	-	-

The lifted loads listed is RATED LIFT CAPACITY complies with ISO 10567.

Smaller values are of either the RATED TIPPING LOAD (75% of the static tipping load) or the RATED HYDRAULIC LIFT CAPACITY (87% of hydraulic capacity).

The asterisked value \* shows the rated hydraulic lift capacity.

## Engine

Yanmar Diesel 2 cylinders ..... 2TNE68-EBVA  
 Rated output (DIN 6270B) ..... 6,8 kw/9,3 HP/2400 rpm  
 Displacement ..... 522 cm<sup>3</sup>  
 Max. torque ..... 32,8 N.m/ 1500 rpm

## Hydraulic circuit

Circuit capacity ..... 11 L  
 Max. pressure ..... 190 bars  
 2 gear pumps ..... 2 x 9,8 L/min

## Performances

Travelling speed ..... 2,0 km/h  
 Swing speed ..... 9 rpm  
 Digging force (arm/bucket) ..... 650 / 1100 kgf  
 Boom swing ..... 45°/90°  
 Ground pressure ..... 0,27 kg/cm<sup>2</sup>  
 Gradeability ..... 30°  
 Crawler width ..... 180 mm  
 Ground clearance ..... 165/265 mm  
 Blade ..... 680/840 x 180 mm

## Various data

Fuel tank ..... 10 L  
 Cooling system ..... 2 L  
 Transport dimensions ..... 2580 x 840 x 1390 mm  
 Noise level LWA (2000/14/CE) ..... 93 dBA  
 LPA (89/514/CEE) ..... 73 dBA

PTO	Maxi theoretical data	
	bar	At 2400 rpm
	0 ~ 190 bar	19,5 ~ 17,5 L/min
	0 ~ 190 bar	19,5 ~ 17,5 L/min

The flow is lower when the pressure is bigger.